

(1) DOORS
 14 5/8 20 3/4 Slab Door 3/4 Panel St HP

PANEL STOCK
 (1) 9 21 Unfinished Left End 3/4 Handy Panel
 (1) 9 21 Unfinished Right End 3/4 Handy Panel
 (1) 13 1/2 21 Unfinished Back 3/4 Handy Panel
 (1) 8 1/4 13 1/2 Top 3/4 Handy Panel
 (1) 8 1/4 13 1/2 Bottom 3/4 Handy Panel
 (2) 8 1/8 13 3/8 Adjustable Shelf 3/4 Handy Panel

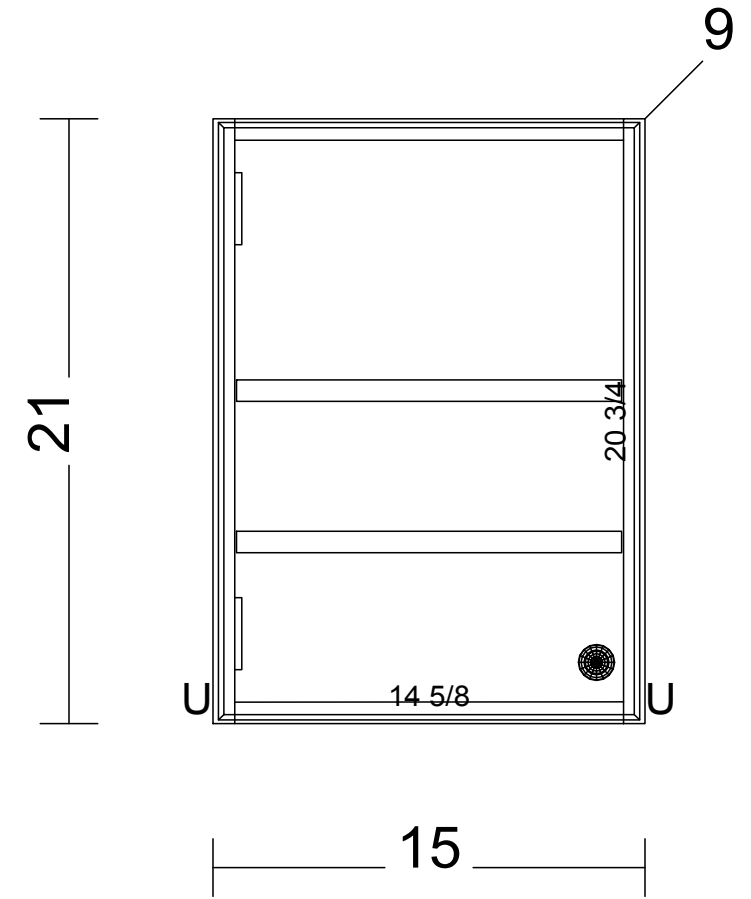
HARDWARE
 (2) 1 2 1/2 Hinge Blum 110
 (1) 1 1/4 1 1/4 Door Pull Brass Knob

CABINET # 1 - W152109
 15 x 21 x 9 (1)

Garage-Cabinet-Plans.com

This plan requires 2 "handy panels" that you can purchase at your local home improvement store.

Follow the plywood cutting diagrams, then assemble the parts using pocket screws.



CABINET # 1 - W152109

L.Reveal = 3/16 R.Reveal = 3/16 T.Reveal = 1/8 B.Reveal = 1/8
 H.Reveal = 1/8 V.Reveal = 1/8
 T.Scribe = 0 B.Scribe = 0
 Left End = Unfinished Right End = Unfinished Back = Unfinished

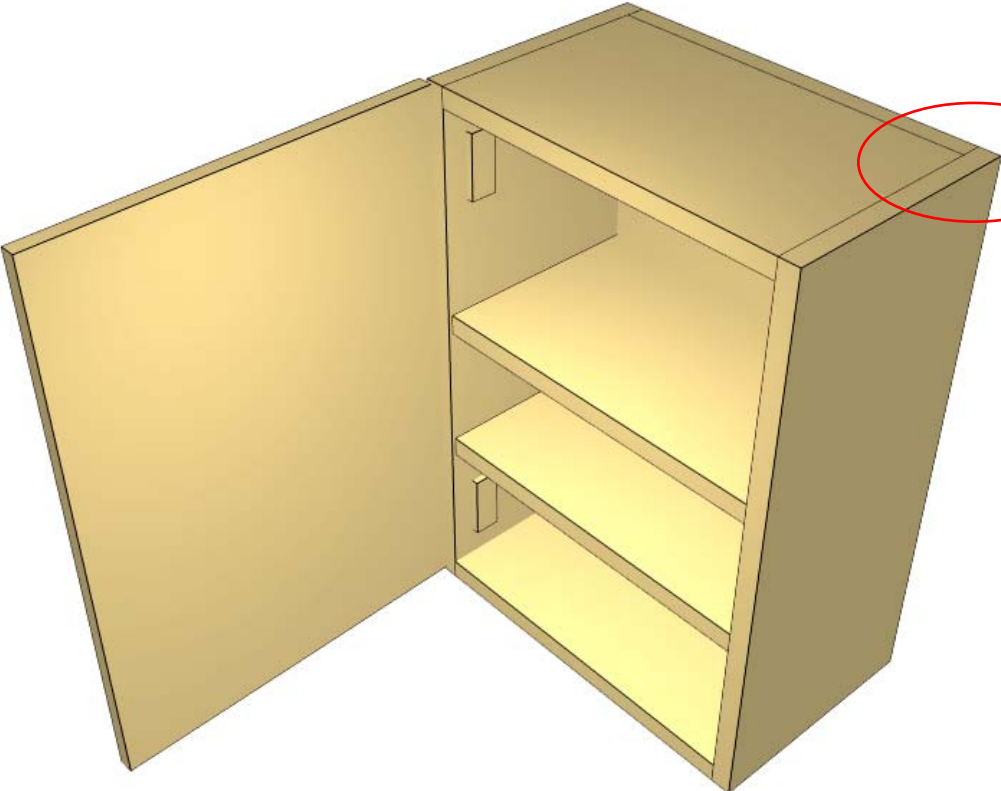
Seth Townsend

Free Plan
 Handy Panel Wall Cabinet Plan

Room # 1 (Room 1) - Wall # 1

Date : 02-02-2013

Simple butt-joint construction



Seth Townsend, Cabinetmaker, LLC
Marietta, GA 30068
770 973-9916

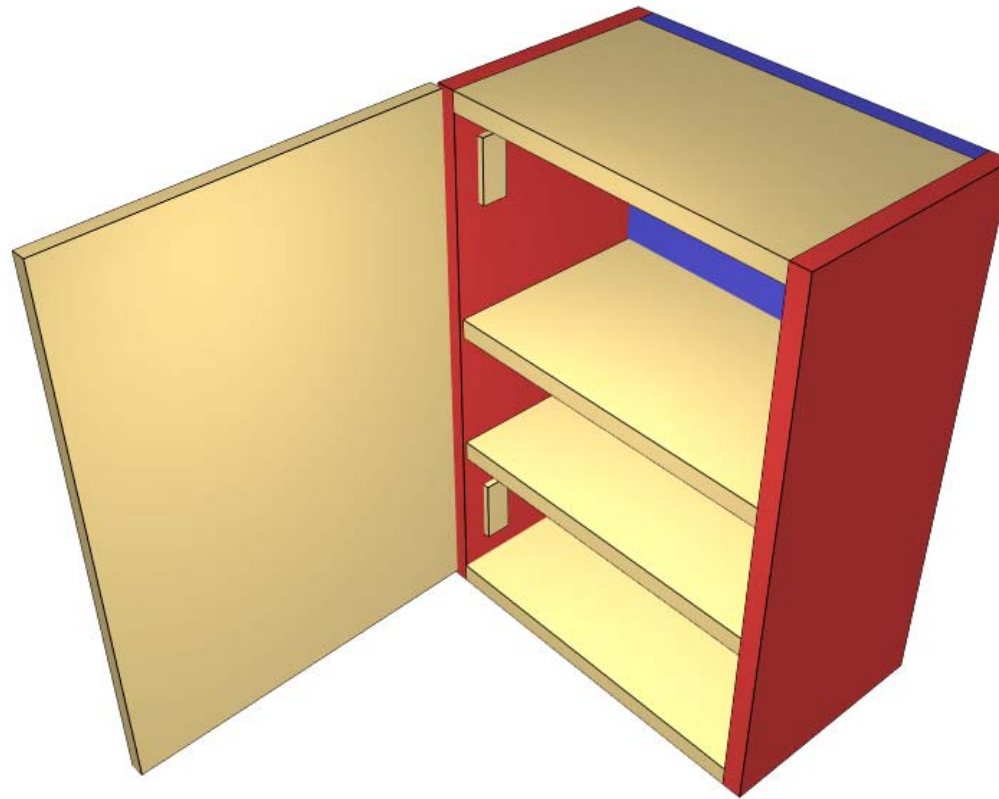
All dimensions given are subject to verification on job site and adjustment to fit job conditions.

This is an original design and must not be released or copied unless applicable fee has been paid or job order placed.

Title: Handy Panel Wall Cabinet Plan		
Size:	Drawing Number:	Revision:
Date:	Sheet	

Garage-Cabinet-Plans.com

Back shown in blue . . .



. . . end panels
shown in red.

Seth Townsend, Cabinetmaker, LLC
Marietta, GA 30068
770 973-9916

All dimensions given are subject
to verification on job site and
adjustment to fit job conditions.

This is an original design and must not be
released or copied unless applicable fee has
been paid or job order placed.

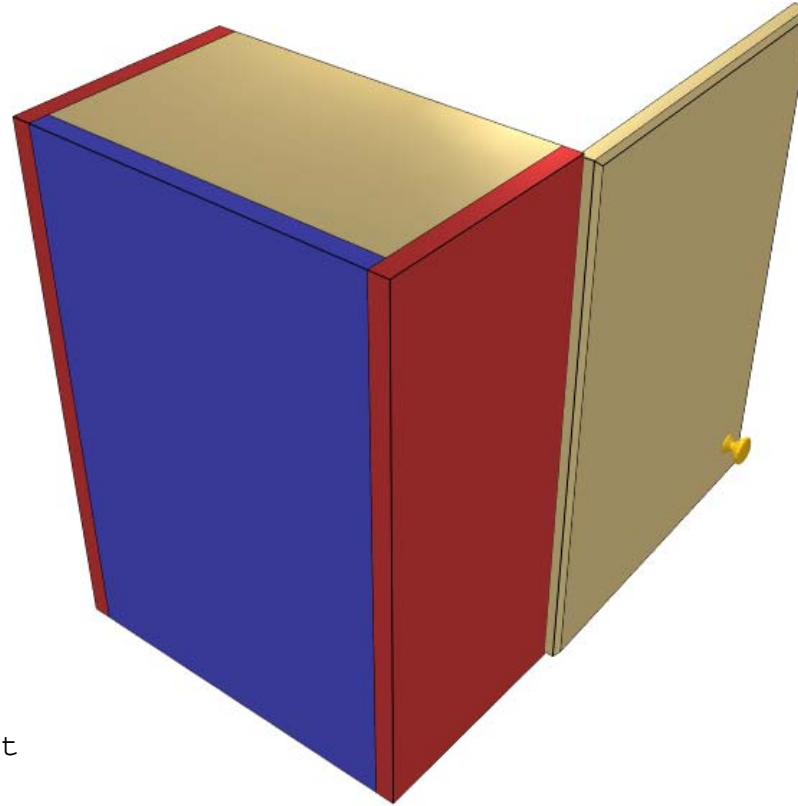
Title: Handy Panel Wall Cabinet Plan

Size: Drawing Number: Revision:

Date: Sheet

Garage-Cabinet-Plans.com

Assembly is
easy . . .



. . . the plans
show you how to cut
the plywood.

Seth Townsend, Cabinetmaker, LLC
Marietta, GA 30068
770 973-9916

All dimensions given are subject
to verification on job site and
adjustment to fit job conditions.

This is an original design and must not be
released or copied unless applicable fee has
been paid or job order placed.

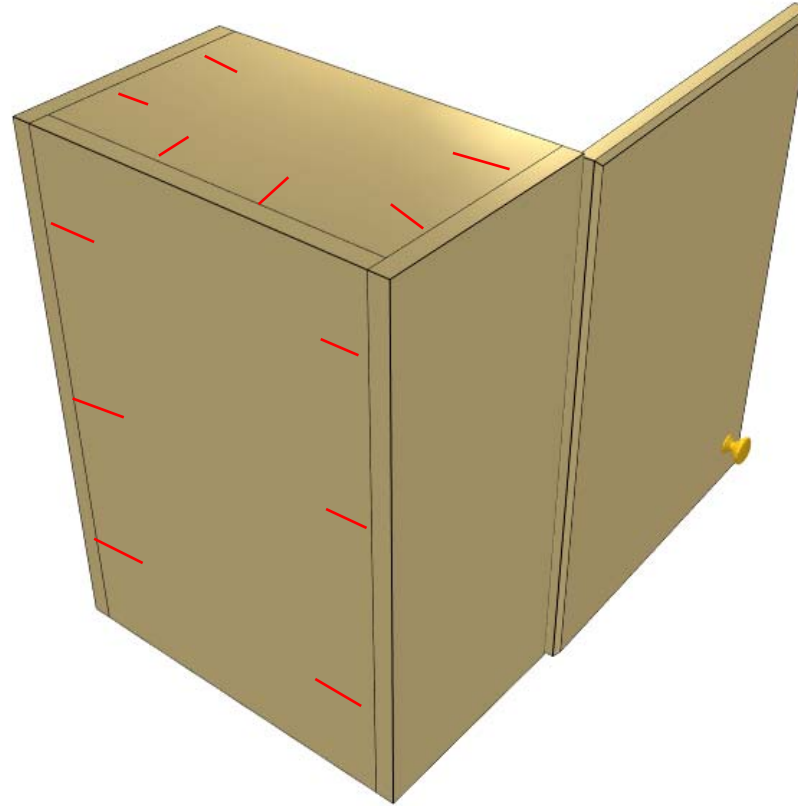
Title: Handy Panel Wall Cabinet Plan

Size: Drawing Number: Revision:

Date: Sheet

Garage-Cabinet-Plans.com

Use your Kreg-Jig to cut pocket holes and assemble with pocket screws.



Keep pocket holes to the outside of the box for a nice clean interior.

Seth Townsend, Cabinetmaker, LLC
Marietta, GA 30068
770 973-9916

All dimensions given are subject to verification on job site and adjustment to fit job conditions.

This is an original design and must not be released or copied unless applicable fee has been paid or job order placed.

Title: Handy Panel Wall Cabinet Plan

Size: Drawing Number: Revision:

Date: Sheet

Garage-Cabinet-Plans.com

This plan requires 2 24" x 48" plywood panels (Handy Panels)

- <http://garage-cabinet-plans.com/handy-panels>

Follow this procedure plan:

- Cut parts according to cutting diagrams
- Drill pocket holes in top, bottom and back panels
- Drill shelf pin holes in end panels
- Assemble the case
- Add the door and hinges

(for this project, it's easy to get and use these hinges:

<http://garage-cabinet-plans.com/liberty-hinges>)

Follow all the construction methods here:

- <http://garage-cabinet-plans.com/category/how-to-build-garage-cabinets/>

Seth Townsend, Cabinetmaker, LLC
Marietta, GA 30068
770 973-9916

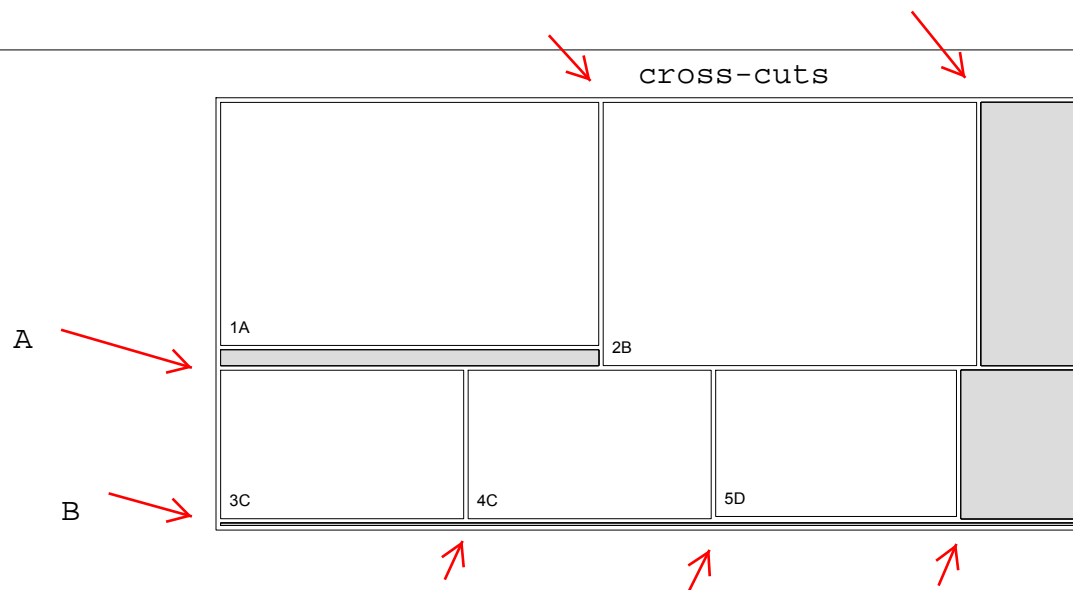
All dimensions given are subject
to verification on job site and
adjustment to fit job conditions.

This is an original design and must not be
released or copied unless applicable fee has
been paid or job order placed.

Title: Handy Panel Wall Cabinet Plan

Size: Drawing Number: Revision:

Date: Sheet



#	Phase1	Phase2	Phase3>	Name	Width	Length	Cb#	Rm#	CNC
	R 14 5/8								
		21							
1			13 1/2	Unfinished Back	13 1/2	21	1	1	
2		20 3/4		Door Slab	14 5/8	20 3/4	1	1	
	R 8 1/4								
3		13 1/2		Bottom	8 1/4	13 1/2	1	1	
4		13 1/2		Top	8 1/4	13 1/2	1	1	
		13 3/8							
5			8 1/8	Adjustable Shelf	8 1/8	13 3/8	1	1	

A - To get started, rip this first panel at 14 5/8", the cross-cut the piece at 21" and 20 3/4". Rip the back to size at 13 1/2"

B - Rip the remaining piece at 8 1/4", then cross-cut the top and bottom to size at 13 1/2". Cut the adjustable shelf from the remaining material.

Garage-Cabinet-Plans.com



A 

#	Phase1	Phase2	Phase3>	Name	Width	Length	Cb#	Rm#	CNC
	H 21								
1		9		Unfinished Left End	9	21	1	1	
2		9		Unfinished Right End	9	21	1	1	
3	H 13 3/8	8 1/8		Adjustable Shelf	8 1/8	13 3/8	1	1	

A - Cross-cut this panel at 21 inches, then rip the end panels to width at 9 inches

Cut the adjustable shelf from the remaining piece

Garage-Cabinet-Plans.com