

(2) DOORS
 15 13/16 29 3/4 Slab Door 3/4 Panel Stock

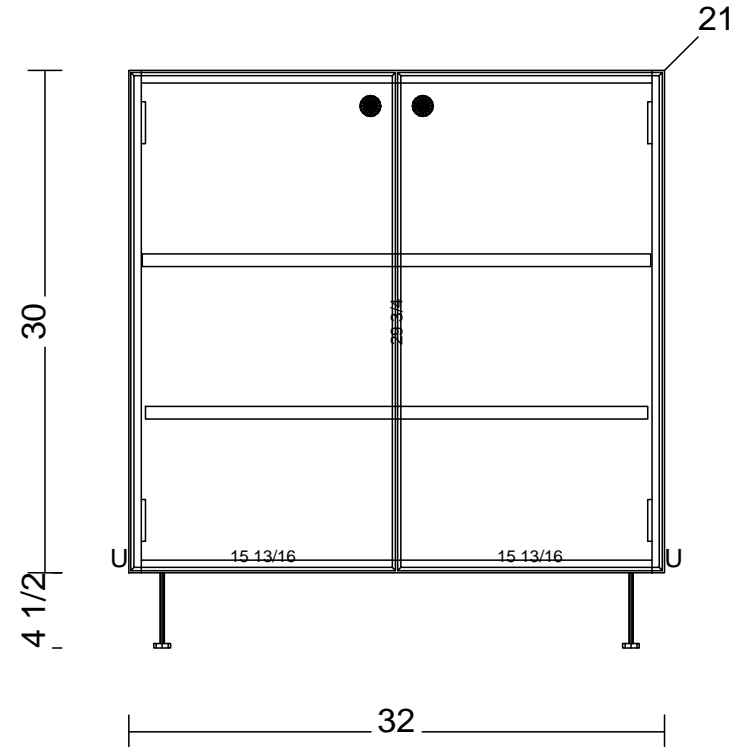
PANEL STOCK
 (1) 21 30 Unfinished Left End 3/4 Panel Stock
 (1) 21 30 Unfinished Right End 3/4 Panel Stock
 (1) 30 1/2 30 Unfinished Back 3/4 Panel Stock
 (2) 3 30 1/2 Top Stretcher 3/4 Panel Stock
 (1) 20 1/4 30 1/2 Deck 3/4 Panel Stock
 (1) 20 30 Adjustable Shelf 3/4 Panel Stock
 (1) 20 30 3/8 Adjustable Shelf 3/4 Panel Stock

HARDWARE
 (4) 1 2 1/2 Hinge Blum 110
 (2) 1 1/4 1 1/4 Door Pull Brass Knob

CABINET # 2 - B3221FH

32 x 34 1/2 x 21 (1)

Garage-Cabinet-Plans.com



CABINET # 2 - B3221FH

L.Reveal = 1/8 R.Reveal = 1/8 T.Reveal = 1/8 B.Reveal = 1/8
 H.Reveal = 1/8 V.Reveal = 1/8
 T.Scribe = 0 B.Scribe = 0
 Left End = Unfinished Right End = Unfinished Back = Unfinished
 Toe Height = 4 1/2 Toe Recess = 3

Seth Townsend

Job

8 ft Garage Cabinet Plans

Room # 1 (Room 1) - Wall # 1

Date : 05-12-2013