

# Garage-Cabinet-Plans.com

Build Your Own Garage Cabinets !



Try this simple cabinet . . .

30 x 30 x12

Seth Townsend, Cabinetmaker, LLC  
Marietta, GA 30068

All dimensions given are subject to verification on job site and adjustment to fit job conditions.

This is an original design and must not be released or copied unless applicable fee has been paid or job order placed.

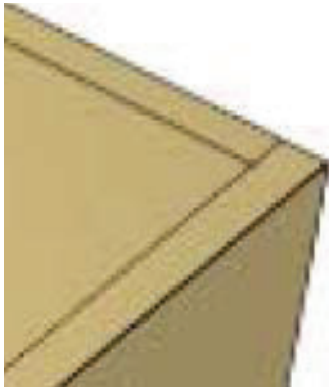
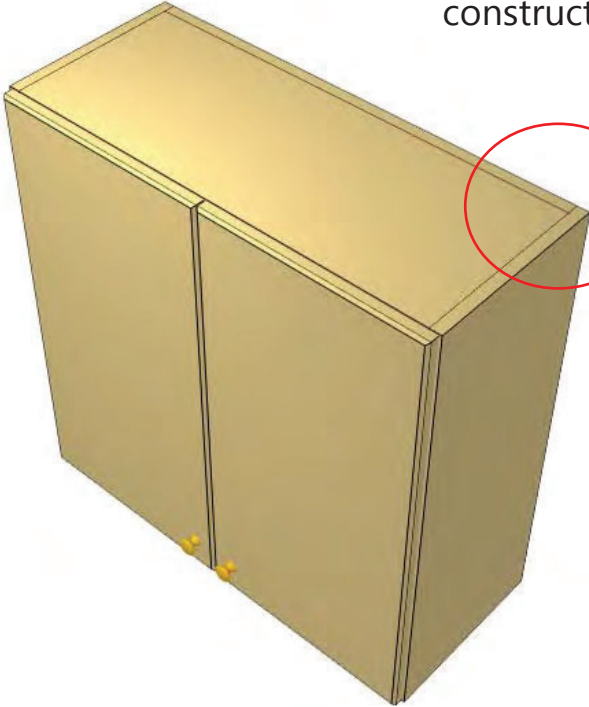
Title: Free Garage Cabinet Plan

Size: Drawing Number: Revision:

Date: Sheet

# Garage-Cabinet-Plans.com

Easy construction  
and assembly with  
butt-joint  
construction !



Seth Townsend, Cabinetmaker, LLC  
Marietta, GA 30068

All dimensions given are subject  
to verification on job site and  
adjustment to fit job conditions.

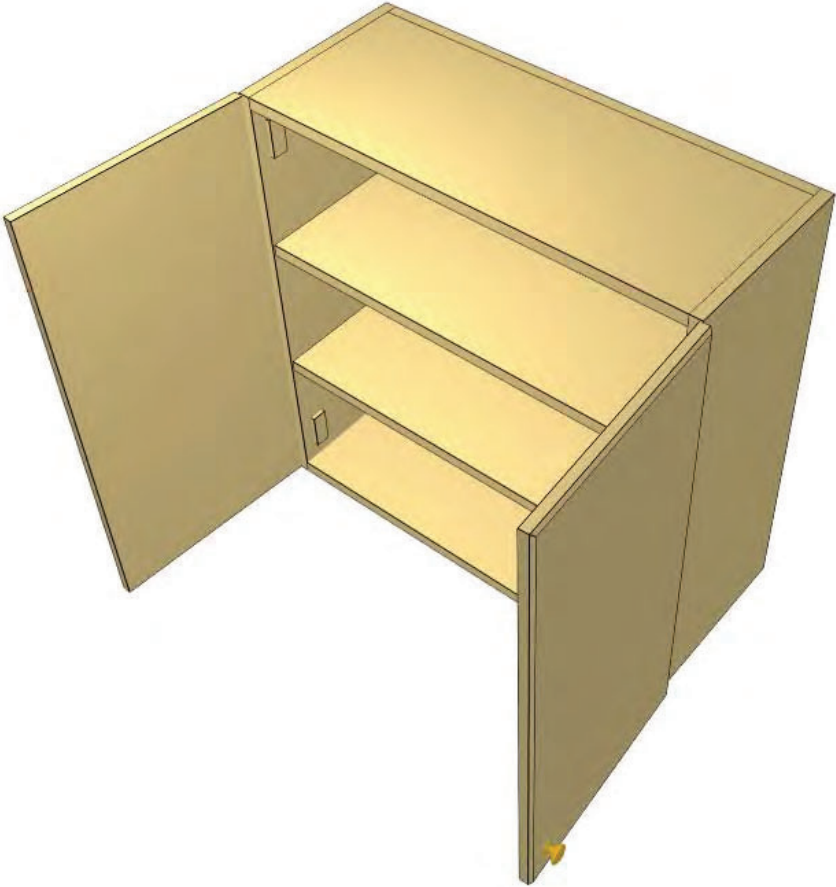
This is an original design and must not be  
released or copied unless applicable fee has  
been paid or job order placed.

Title: Free Garage Cabinet Plan

Size: Drawing Number: Revision:

Date: Sheet

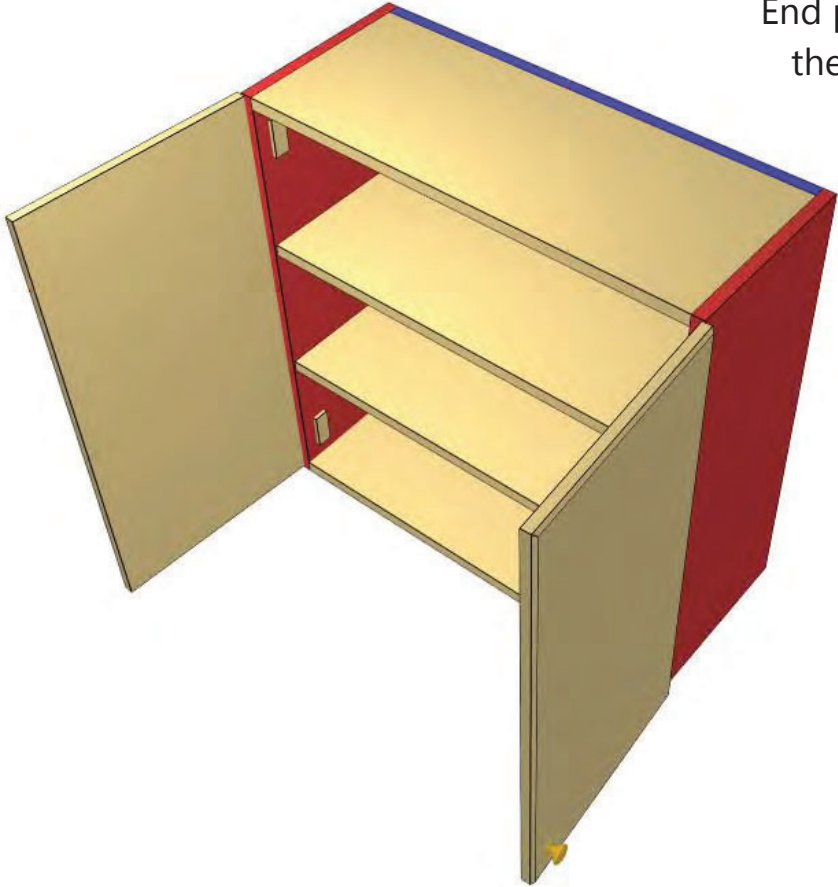
# Garage-Cabinet-Plans.com



Shelves are adjustable . . .

<p>Seth Townsend, Cabinetmaker, LLC Marietta, GA 30068</p>	<p>All dimensions given are subject to verification on job site and adjustment to fit job conditions.</p>	<p>This is an original design and must not be released or copied unless applicable fee has been paid or job order placed.</p>	<table border="1"><tr><td colspan="3">Title: Free Garage Cabinet Plan</td></tr><tr><td>Size:</td><td>Drawing Number:</td><td>Revision:</td></tr><tr><td>Date:</td><td colspan="2">Sheet</td></tr></table>			Title: Free Garage Cabinet Plan			Size:	Drawing Number:	Revision:	Date:	Sheet	
Title: Free Garage Cabinet Plan														
Size:	Drawing Number:	Revision:												
Date:	Sheet													

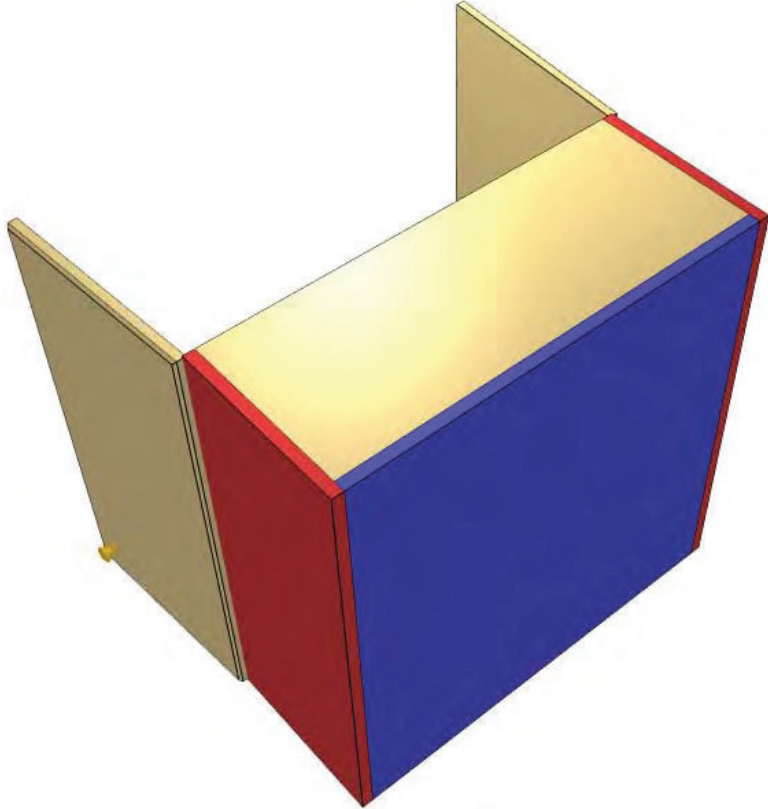
# Garage-Cabinet-Plans.com



End panels (red) capture the top, bottom and back

<p>Seth Townsend, Cabinetmaker, LLC Marietta, GA 30068</p>	<p>All dimensions given are subject to verification on job site and adjustment to fit job conditions.</p>	<p>This is an original design and must not be released or copied unless applicable fee has been paid or job order placed.</p>	<table border="1"><tr><td colspan="3" data-bbox="1570 1425 2047 1477">Title: Free Garage Cabinet Plan</td></tr><tr><td data-bbox="1570 1477 1686 1526">Size:</td><td data-bbox="1686 1477 1919 1526">Drawing Number:</td><td data-bbox="1919 1477 2047 1526">Revision:</td></tr><tr><td data-bbox="1570 1526 1816 1575">Date:</td><td colspan="2" data-bbox="1816 1526 2047 1575">Sheet</td></tr></table>			Title: Free Garage Cabinet Plan			Size:	Drawing Number:	Revision:	Date:	Sheet	
Title: Free Garage Cabinet Plan														
Size:	Drawing Number:	Revision:												
Date:	Sheet													

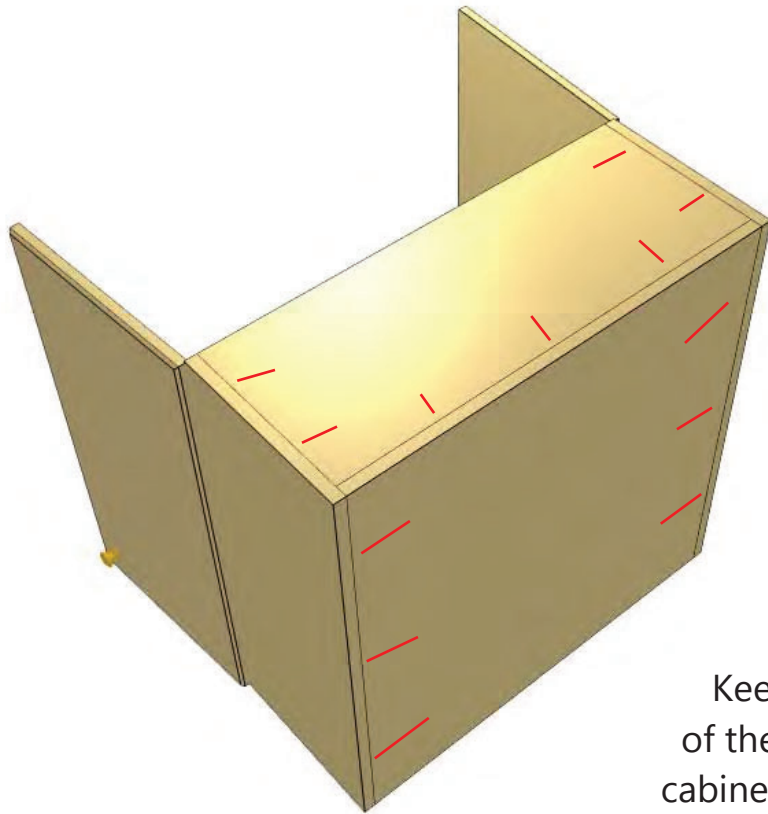
# Garage-Cabinet-Plans.com



This is too easy !

<p>Seth Townsend, Cabinetmaker, LLC Marietta, GA 30068</p>	<p>All dimensions given are subject to verification on job site and adjustment to fit job conditions.</p>	<p>This is an original design and must not be released or copied unless applicable fee has been paid or job order placed.</p>	<table border="1"><tr><td colspan="3">Title: Free Garage Cabinet Plan</td></tr><tr><td>Size:</td><td>Drawing Number:</td><td>Revision:</td></tr><tr><td>Date:</td><td colspan="2">Sheet</td></tr></table>			Title: Free Garage Cabinet Plan			Size:	Drawing Number:	Revision:	Date:	Sheet	
Title: Free Garage Cabinet Plan														
Size:	Drawing Number:	Revision:												
Date:	Sheet													

# Garage-Cabinet-Plans.com



Construction and assembly is easy with pocket hole joinery.

Drill pocket holes and assemble with pocket screws.

Keep pocket holes to the exterior of the case for a nice clean cabinet interior.

Seth Townsend, Cabinetmaker, LLC  
Marietta, GA 30068

All dimensions given are subject to verification on job site and adjustment to fit job conditions.

This is an original design and must not be released or copied unless applicable fee has been paid or job order placed.

Title: Free Garage Cabinet Plan

Size: Drawing Number: Revision:

Date: Sheet

(2) DOORS  
 14 3/4 29 3/4 Slab Door 3/4 Panel Stock

PANEL STOCK  
 (1) 12 30 Unfinished Left End 3/4 Panel Stock  
 (1) 12 30 Unfinished Right End 3/4 Panel Stock  
 (1) 28 1/2 30 Unfinished Back 3/4 Panel Stock  
 (1) 11 1/4 28 1/2 Top 3/4 Panel Stock  
 (1) 11 1/4 28 1/2 Bottom 3/4 Panel Stock  
 (2) 11 1/8 28 3/8 Adjustable Shelf 3/4 Panel Stock

HARDWARE  
 (4) 1 2 1/2 Hinge Blum 110  
 (2) 1 1/4 1 1/4 Door Pull Brass Knob

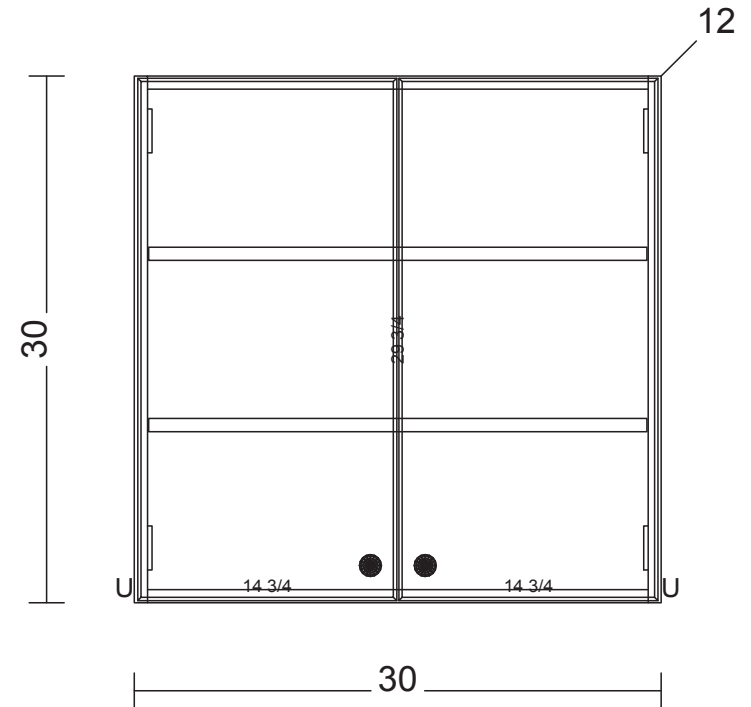
CABINET # 1 - W303012

30 x 30 x 12 ( 1 )

w x h x d

You'll need just one sheet of plywood to make this cabinet.

The plans will show you how to cut the plywood.



**Garage-Cabinet-Plans.com**

CABINET # 1 - W303012

L.Reveal = 3/16 R.Reveal = 3/16 T.Reveal = 1/8 B.Reveal = 1/8  
 H.Reveal = 1/8 V.Reveal = 1/8  
 T.Scribe = 0 B.Scribe = 0  
 Left End = Unfinished Right End = Unfinished Back = Unfinished

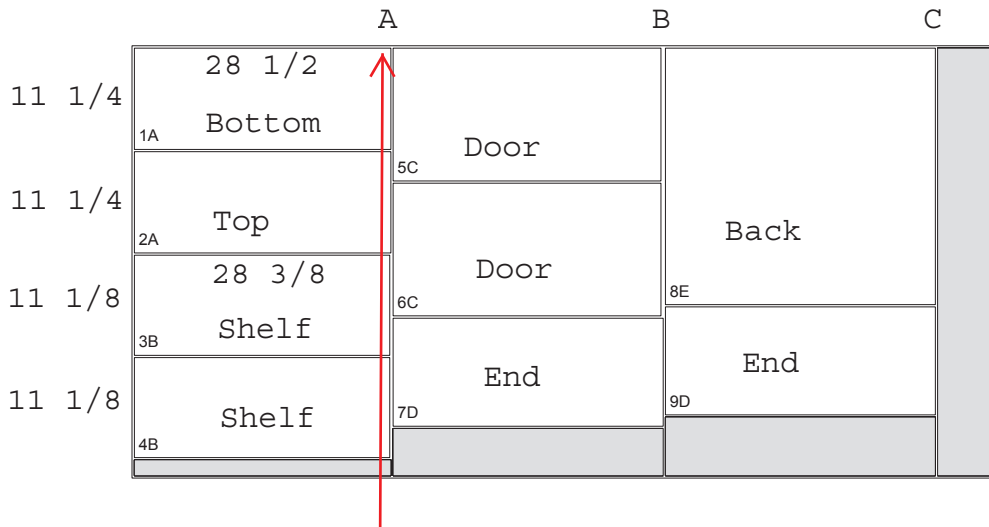
Seth Townsend

Sample Plan

Wall Cabinet - W303012

Room # 1 (Room 1) - Wall # 1

Date : 06-30-2012



#	Phase1	Phase2	Phase3>	Name	Width	Length	Cb#	Rm#	CNC
A	H 28 1/2								
1		11 1/4		Bottom	11 1/4	28 1/2	1	1	
2		11 1/4		Top	11 1/4	28 1/2	1	1	
3		11 1/8	28 3/8	Adjustable Shelf	11 1/8	28 3/8	1	1	
4		11 1/8	28 3/8	Adjustable Shelf	11 1/8	28 3/8	1	1	
B	H 30								
5		14 3/4	29 3/4	Door Slab	14 3/4	29 3/4	1	1	
6		14 3/4	29 3/4	Door Slab	14 3/4	29 3/4	1	1	
7		12		Unfinished Left End	12	30	1	1	
C	H 30								
8		28 1/2		Unfinished Back	28 1/2	30	1	1	
9		12		Unfinished Right End	12	30	1	1	



One sheet of plywood is all it takes to build this simple garage wall cabinet.

To understand this diagram:

- Make an initial cross-cut at A - 28 1/2" (H = cross cut)
- From that piece, rip the top & bottom at 11 1/4"
- Rip the shelves at 11 1/8"
- Cross-cut the adjustable shelves to length at 28 3/8"
- Repeat the process at B & C

Depending on the project, some cutting diagrams may feature a mixture of ripping (R) and cross cutting (H).

## Garage-Cabinet-Plans.com

3/4 Panel Stock - Sheet 1 of 1

48 x 96

Seth Townsend

Sample Plan - Wall Cabinet - W303012





Seth Townsend, Cabinetmaker, LLC  
Marietta, GA 30068

All dimensions given are subject to verification on job site and adjustment to fit job conditions.

This is an original design and must not be released or copied unless applicable fee has been paid or job order placed.

Title: Free Garage Cabinet Plan

Size: Drawing Number: Revision:

Date: Sheet

# Garage-Cabinet-Plans.com



Seth Townsend, Cabinetmaker, LLC  
Marietta, GA 30068

All dimensions given are subject to verification on job site and adjustment to fit job conditions.

This is an original design and must not be released or copied unless applicable fee has been paid or job order placed.

Title: Free Garage Cabinet Plan

Size: Drawing Number: Revision:

Date: Sheet